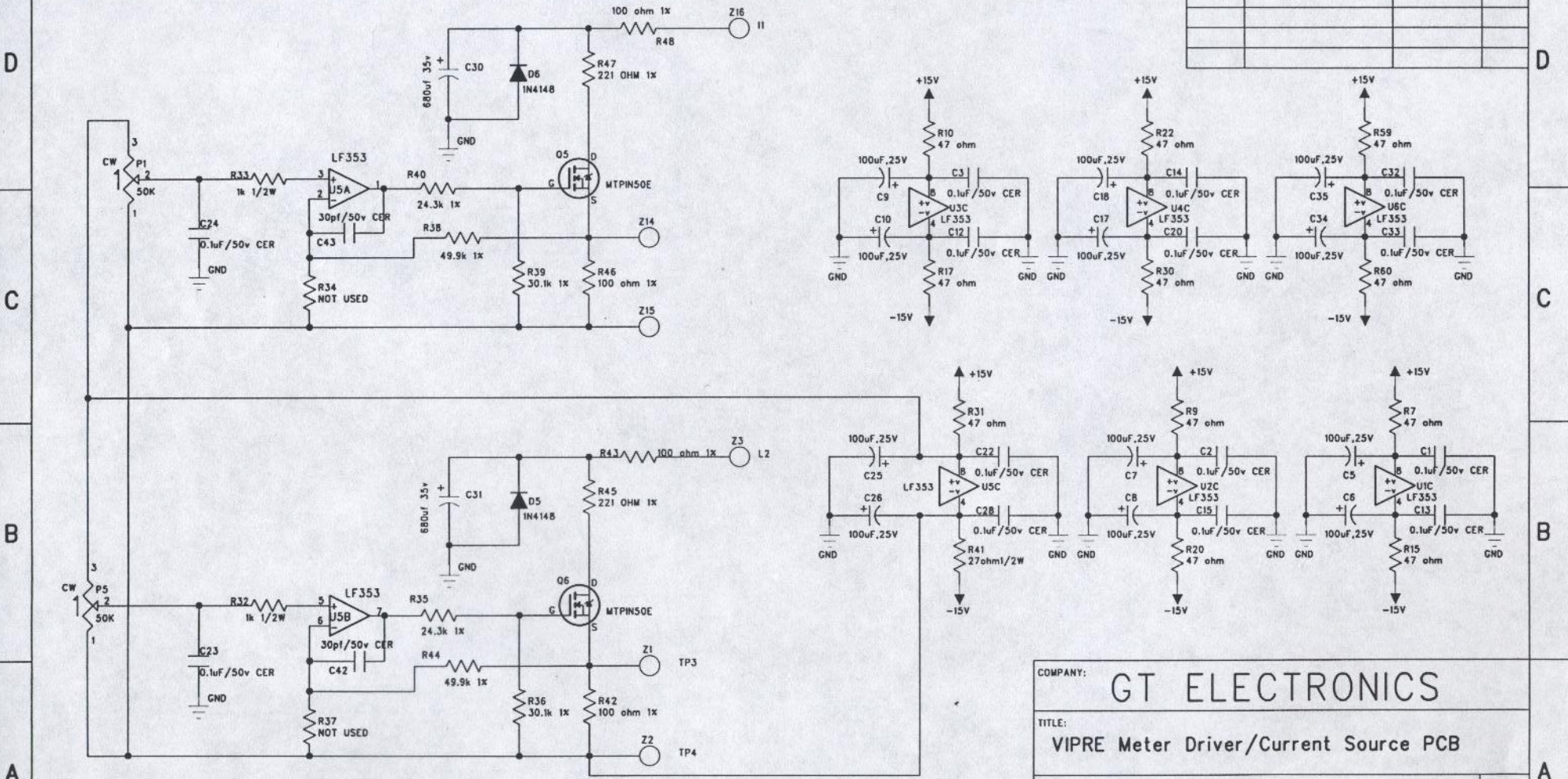


6 | 5 | 4 | 3 | 2 | 1

REVISION RECORD			
LTR	ECO NO:	APPROVED:	DATE:



Please Note: All resistors are 1/2 watt - unless otherwise specified

COMPANY: GT ELECTRONICS	
TITLE: VIPRE Meter Driver/Current Source PCB	
PART NUMBER: 9-40-1405-1	REV: 1
ASSY NUMBER: 9-79-1405	
FILENAME: hqdp202a.sch	SIZE: B
SCALE:	SHEET: 2 OF 3

DRAWN: D. Sierer	DATED: 13DEC00
RELEASED:	DATED: