

6

5

4

3

2

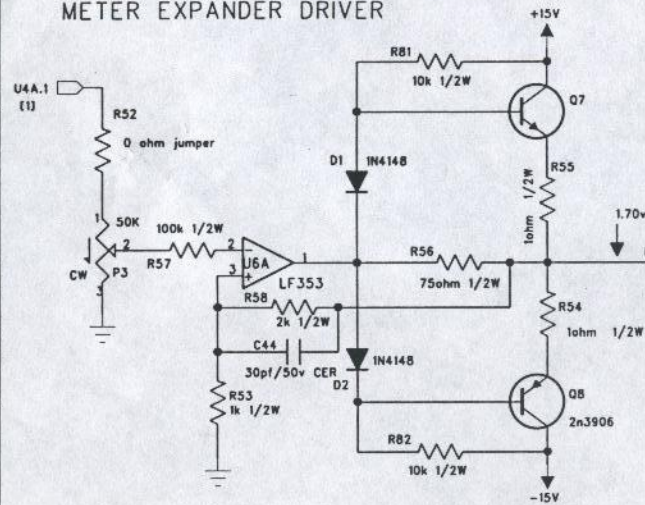
1

U1 and U2 power and ground connections are shown on page 2

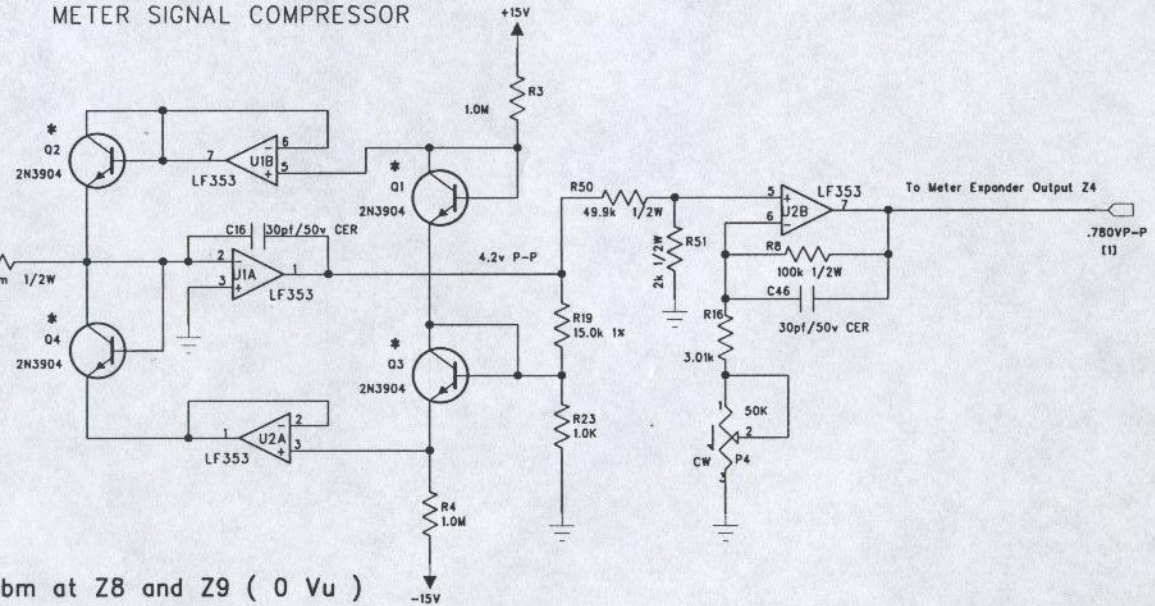
* Denotes that these transistors need to be placed in close physical proximity during placement & routing for thermal reasons.

REVISION RECORD			
LTR	ECO NO:	APPROVED:	DATE:

METER EXPANDER DRIVER



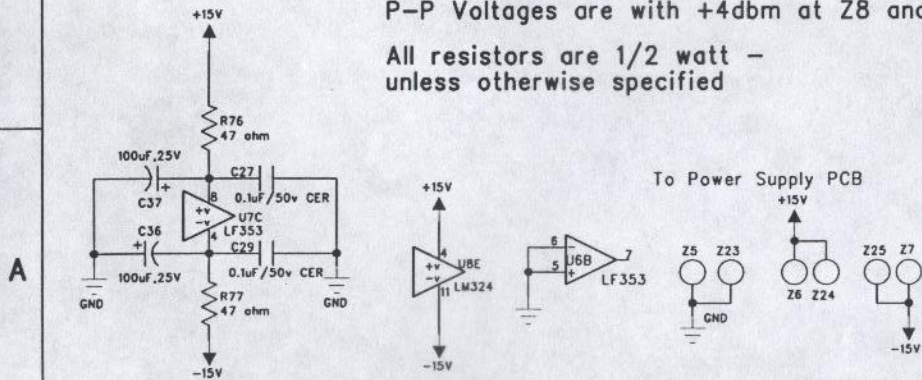
METER SIGNAL COMPRESSOR



NOTE:

P-P Voltages are with +4dbm at Z8 and Z9 (0 Vu)

All resistors are 1/2 watt - unless otherwise specified



COMPANY: GT ELECTRONICS

TITLE: VIPRE Meter Driver/Current Source PCB

PART NUMBER: 9-40-1405-1 REV: A

ASSY NUMBER: 9-79-1405

FILENAME: hqdp202a.sch SIZE: B

SCALE: SHEET: 3 OF 3

DRAWN: D. Sierer

DATED: 13DEC00

RELEASED:

DATED: