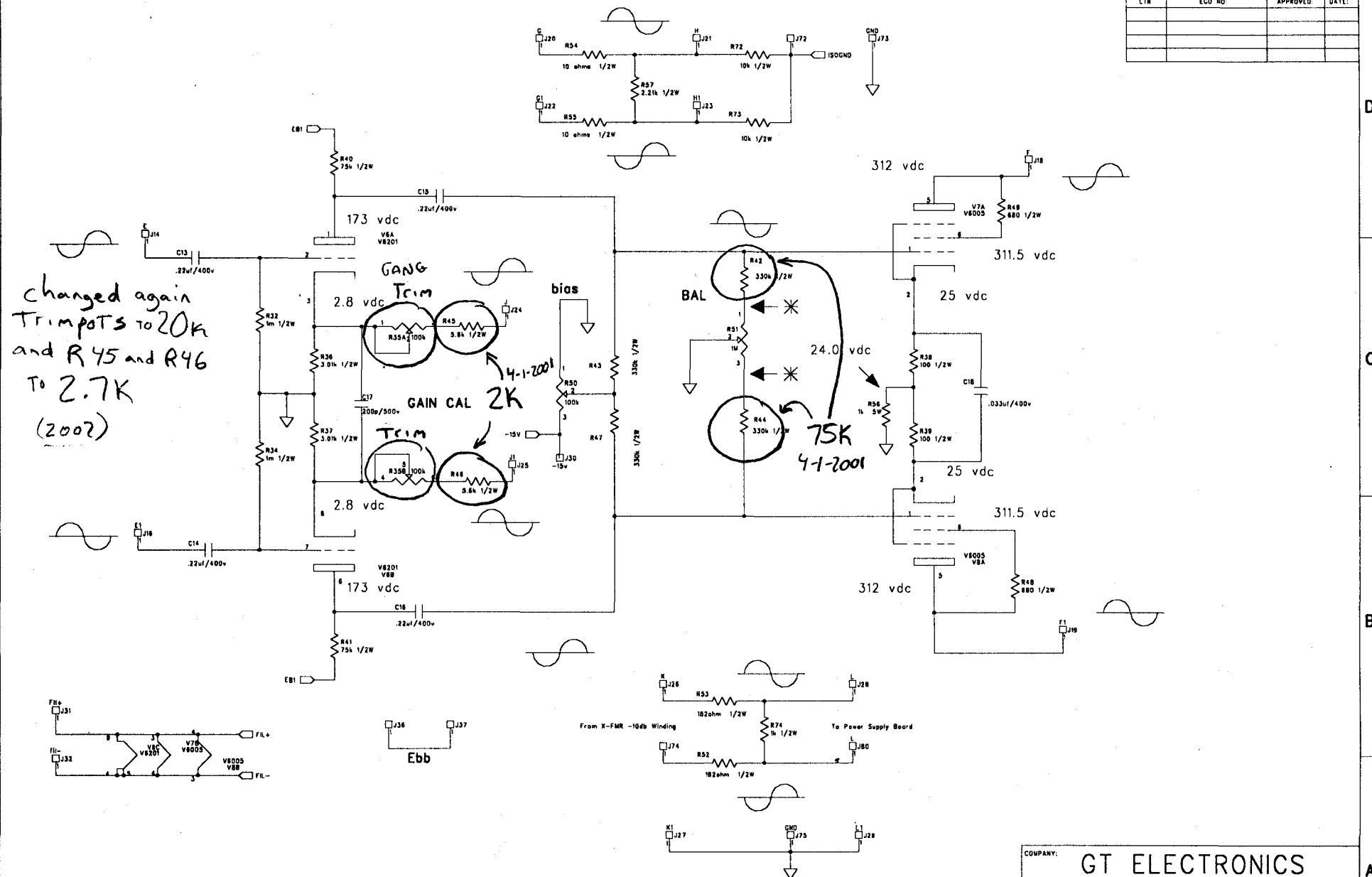


REVISION RECORD			
LTR	ECO NO	APPROVED	DATE



- 1: Balance Set - Adjust R51 for equal VDC at noted points \*
- 2: Bias Set - Adjust R50 for 24.0VDC across R56 ( 1K Resistor)

COMPANY: GT ELECTRONICS	
TITLE: Driver Output Stages	
PART NUMBER:	REV:
ASSY NUMBER:	
FILENAME: ipamp2z	SIZE: C
SCALE:	SHEET: 3 of 3

DRAWN: D Sierer	DATED: 11SEP00
RELEASED:	DATED: