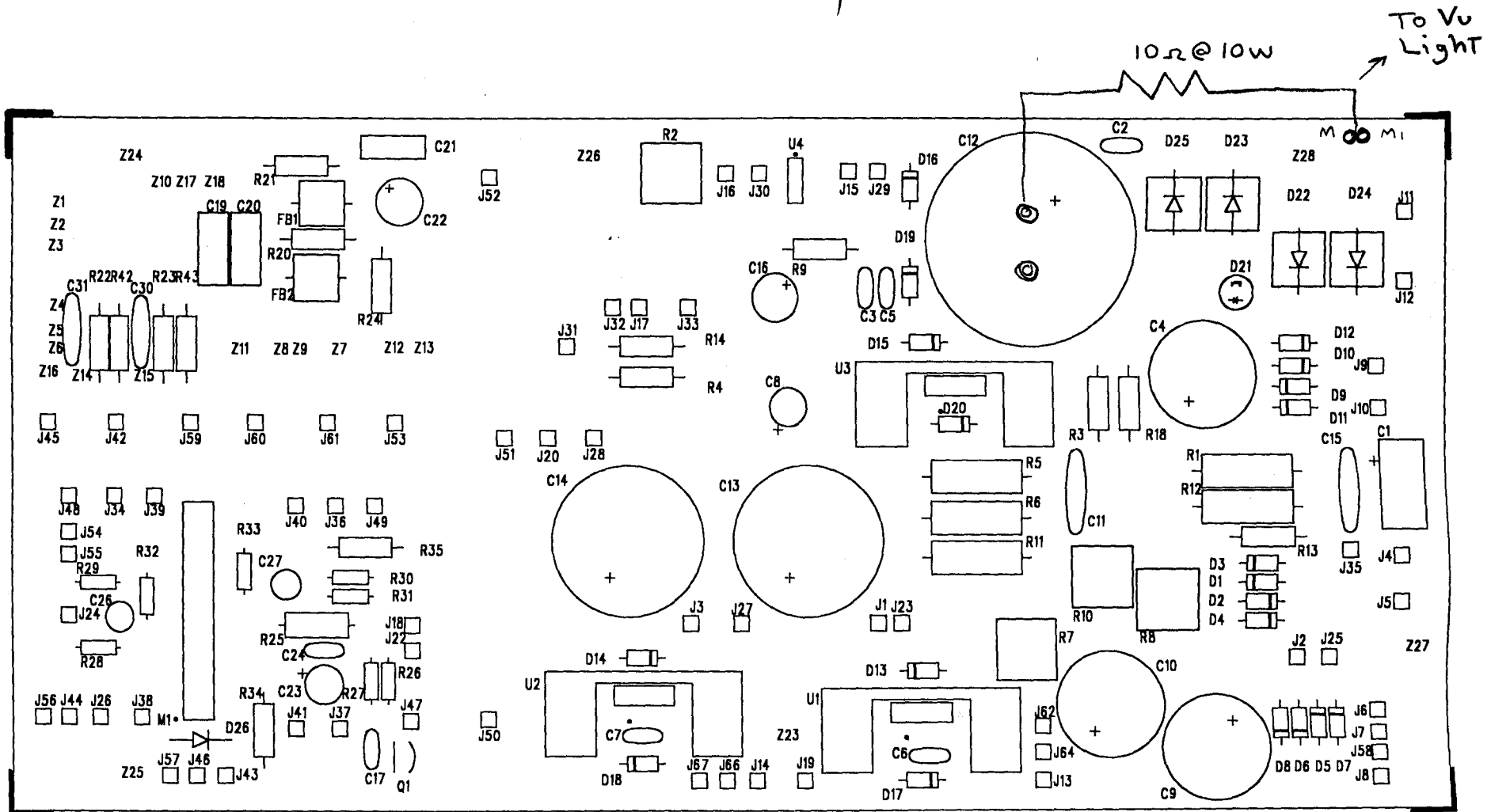


Pwr Supply Board



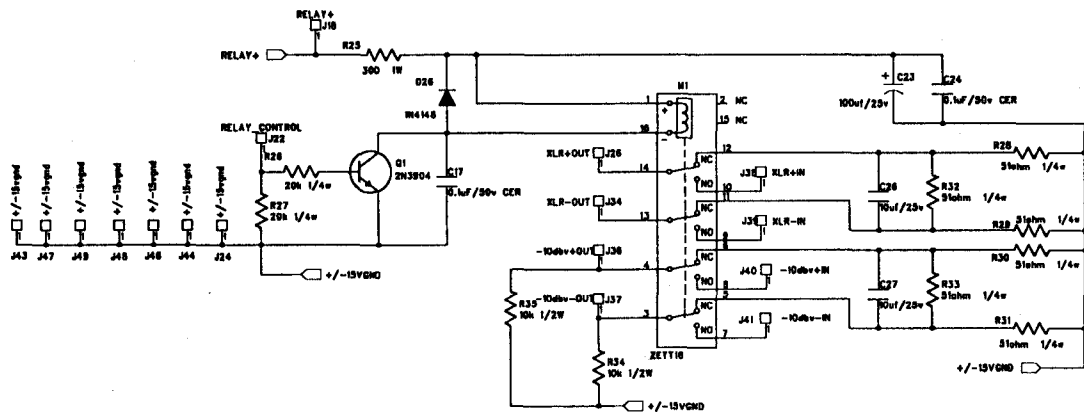
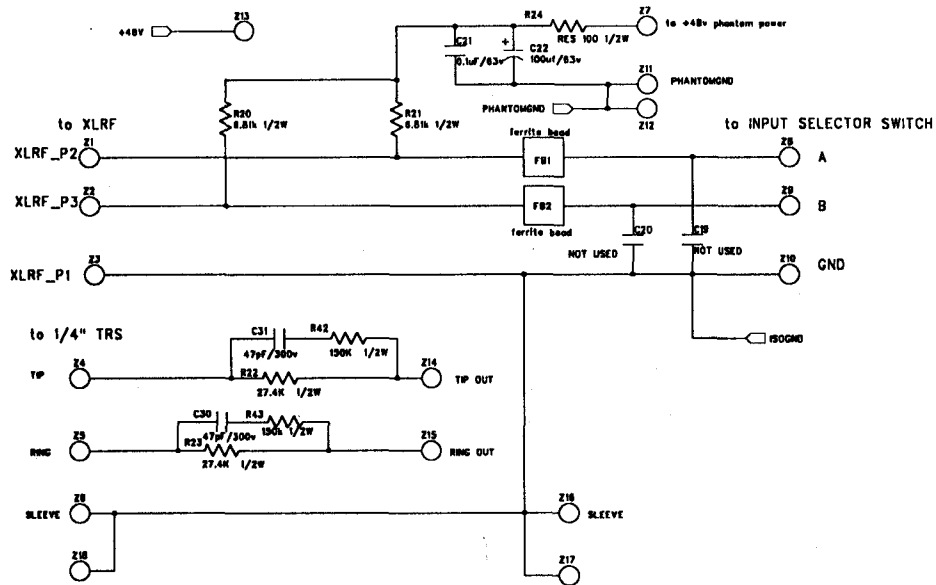
5

4

3

2

REVIS:		ID	
LTR	ECO NO.	APPROVED:	DATE:



COMPANY: GT ELECTRONICS

TITLE: VIPRE POWER SUPPLY

PART NUMBER: REV:

ASSY NUMBER:

FILENAME: p04p SIZE: C

DRAWN: D.Sherer
RELEASED:

DATED: 10CT00
DATED:

SCALE: SHEET: 2 OF 2

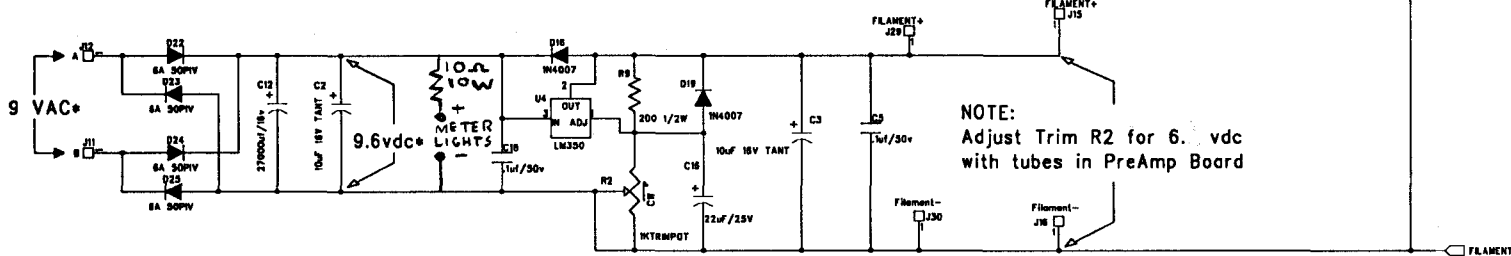
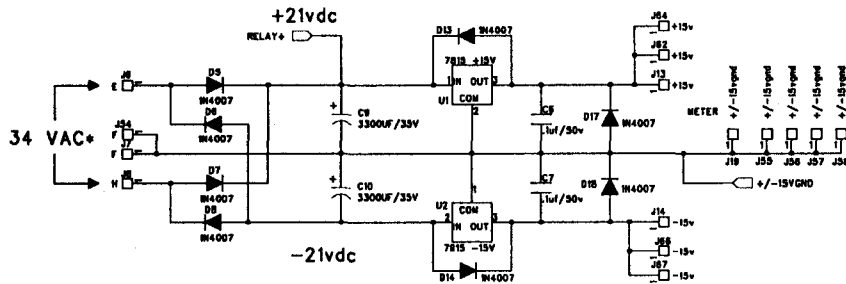
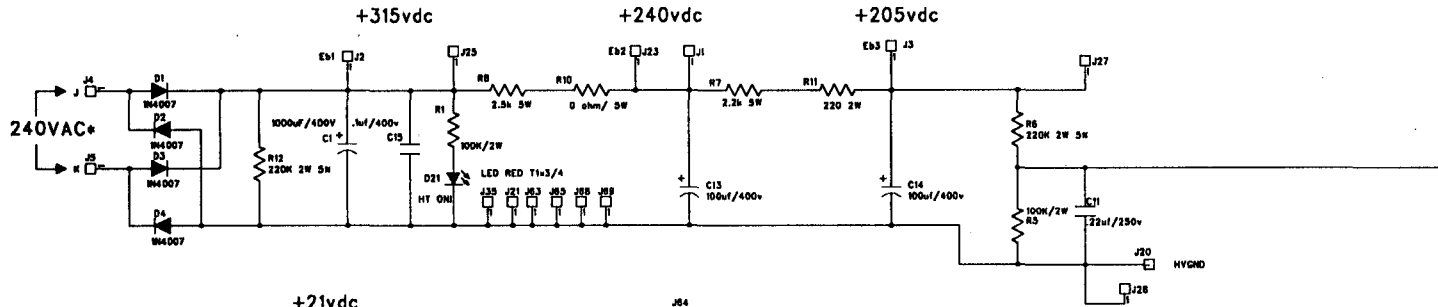
5

4

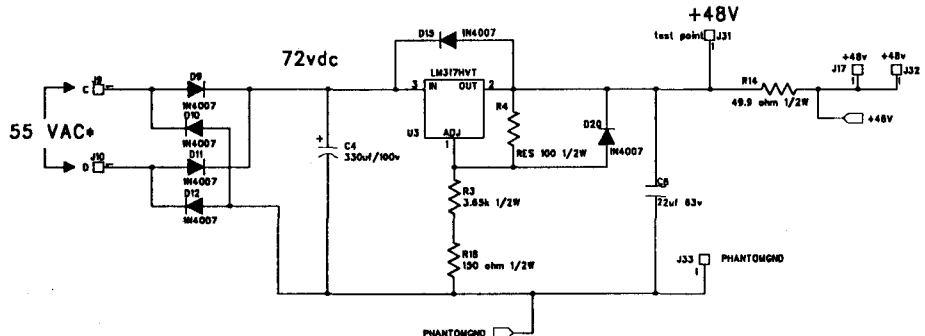
3

2

REVISION			
LTR	ECO NO.	APPROVED:	DATE:



Filament- is 65 volts above ground.
85v above gnd



NOTE:
Voltages marked with *
are NOT referenced to Ground.
These are FLOATING
see points indicated.

NOTE:
Voltages not marked with *
are Ground referenced.

J45 J50 J52 J51 J53 J42 J58 J50 J51
ground shield

COMPANY: GT ELECTRONICS	
TITLE: VIPRE POWER SUPPLY	
PART NUMBER:	REV:
ASSY NUMBER:	
FILENAME: p44p	SIZE: C
SCALE:	SHEET: 1 OF 2

DRAWN: D.Sierer	DATED: 1NOCT00
RELEASED:	DATED: