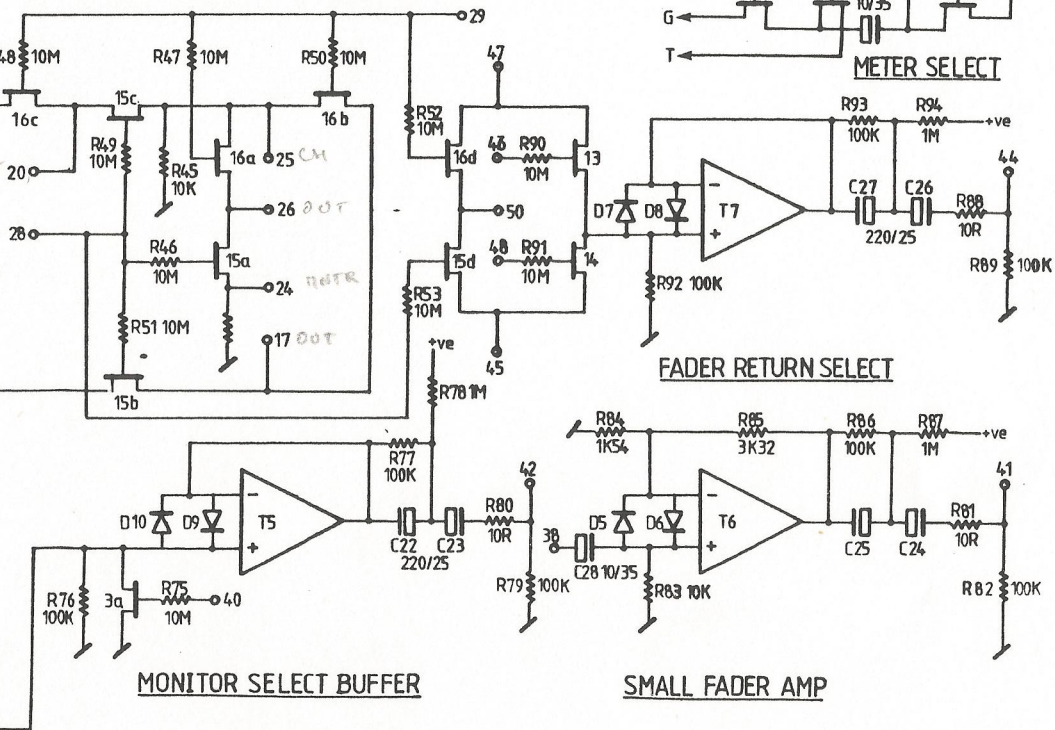
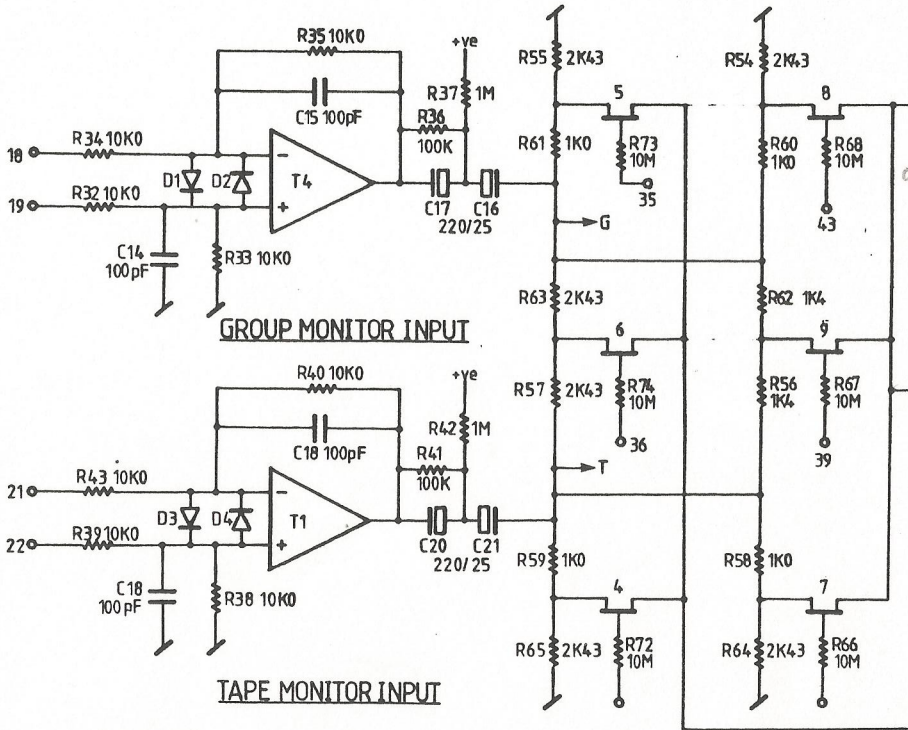
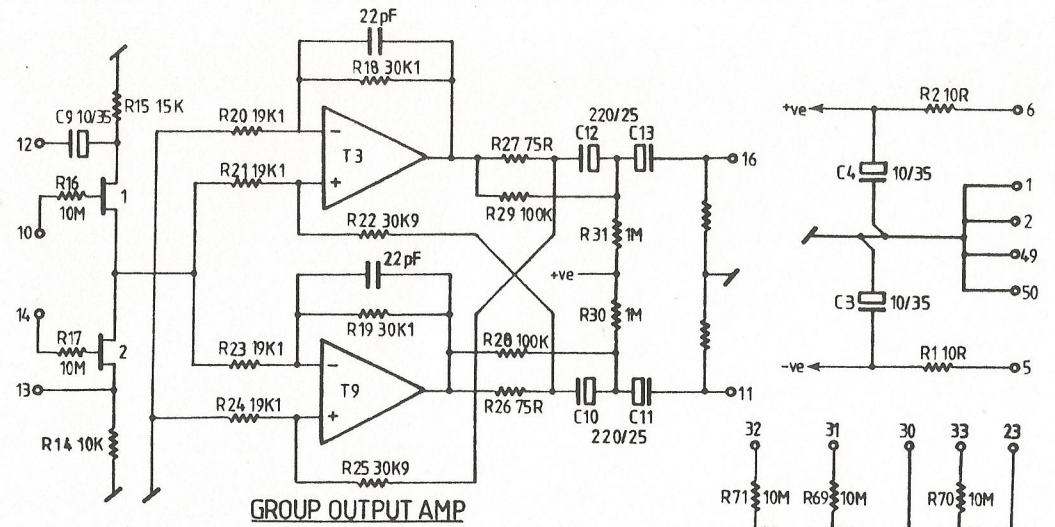
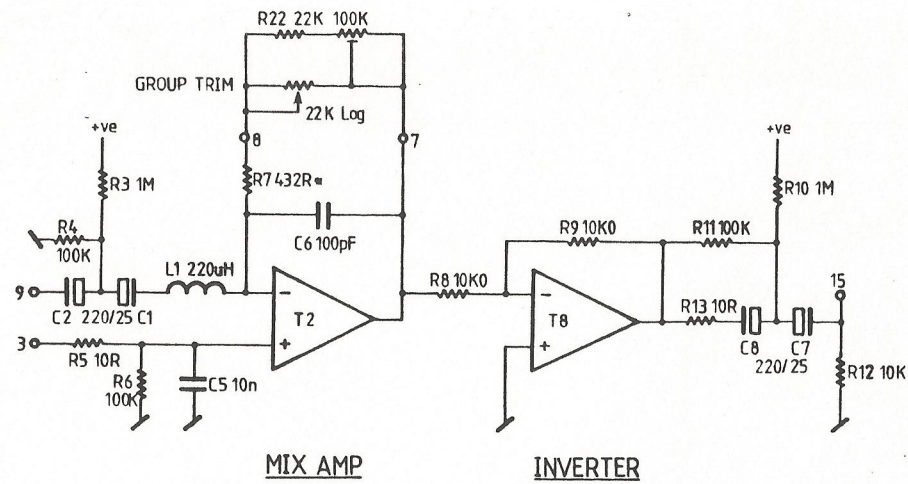


\*0.5% TOLERANCE

REV	DRN	DATE 10-10-80	DWG-N°
-----	-----	---------------	--------



T2 = NE5534 AN  
(TDA 1034 NB)

T1, 3-9 = NE5534 N  
(TDA 1034 N)

C T = 22pF (compensation C's  
not shown)

D's 1-10 = IS44 (used when T1, T4-7=351)

**SUPERCUE SELECT**

DO NOT SCALE DRAWING	IF IN DOUBT ASK	MATERIAL	LIMITS UNLESS STATED	SOLID STATE LOGIC STONESFIELD OXFORD ENGLAND
THIS DRAWING BELONGS TO SOLID STATE LOGIC AND IS VALID ON CONDITION THAT IT IS NOT LOANED, REPRODUCED, FACSIMILED, COPIED, EITHER WHOLLY OR IN PART, OR TRANSMITTED WITHOUT THE WRITTEN PERMISSION OF SOLID STATE LOGIC		TYPICAL	ANGLES	
				82E11
				GROUP AMPLIFIERS
				701-9202

DATE	REV	MODIFICATION