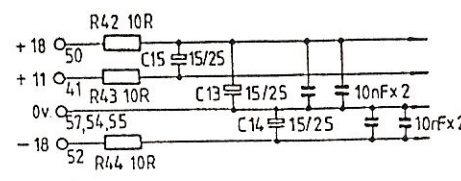
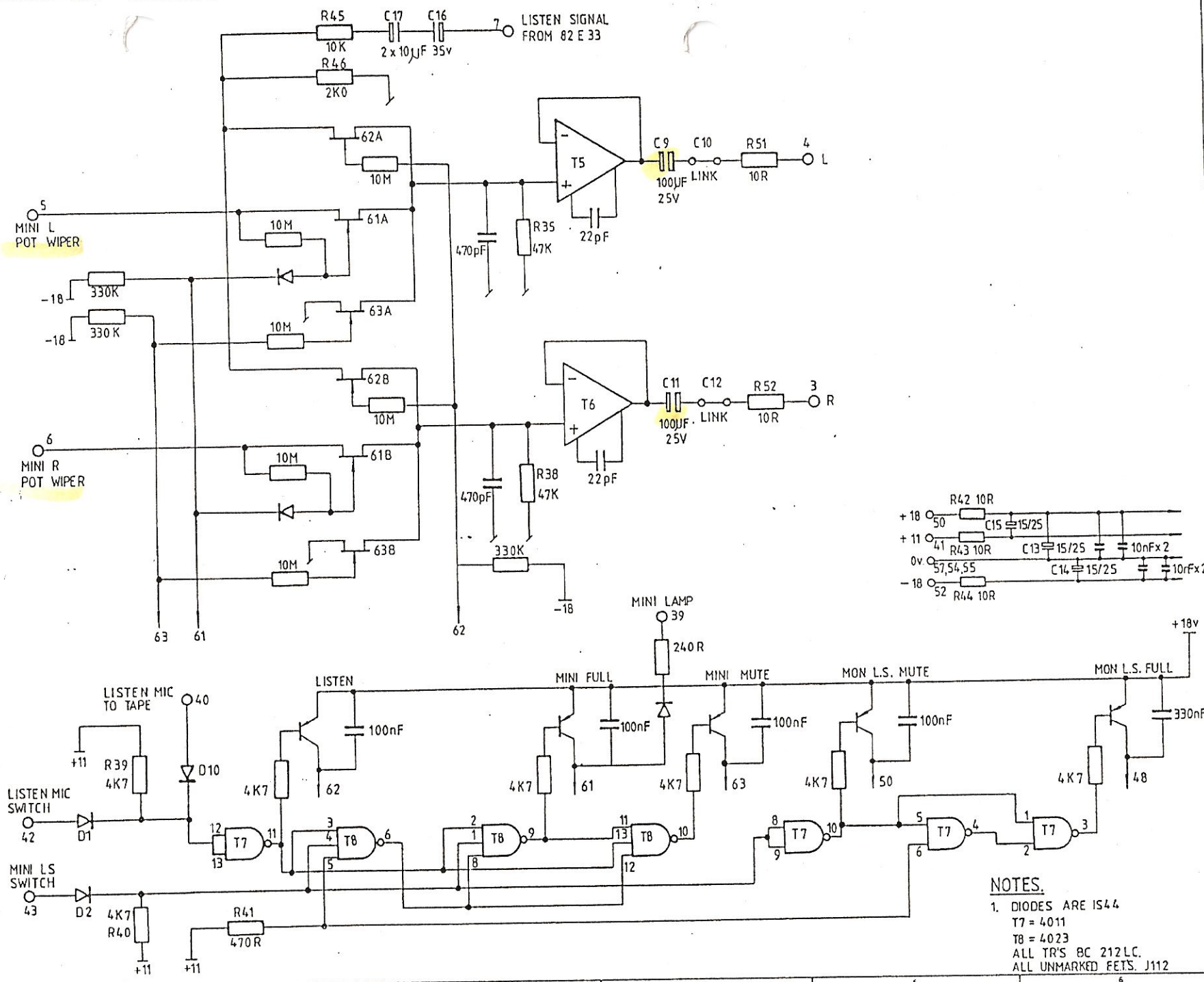


Rev.		Details
8	a	REDRAWN 2-84 V.B
8	b	AMENDMENT TO TITLE Oct 80 GTC
9	DM a	C9 - 12 WERE CAP. ELECT'S 10UF 35V. May 87. E.L.
10	a	ECO 4K/587 B NO CHANGE June 90 STEF

8-14



- NOTES:**
- DIODES ARE IS44
 - T7 = 4011
 - T8 = 4023
 - ALL TR'S BC 212LC.
 - ALL UNMARKED FETS. J112

SHEET 2 OF 2

Title CF82E22
 MON O.P./MUTES + MINI O.P.M/L
 Drg.No. T82022-72
Solid State Log
 Stonesfield · Oxford · Engl