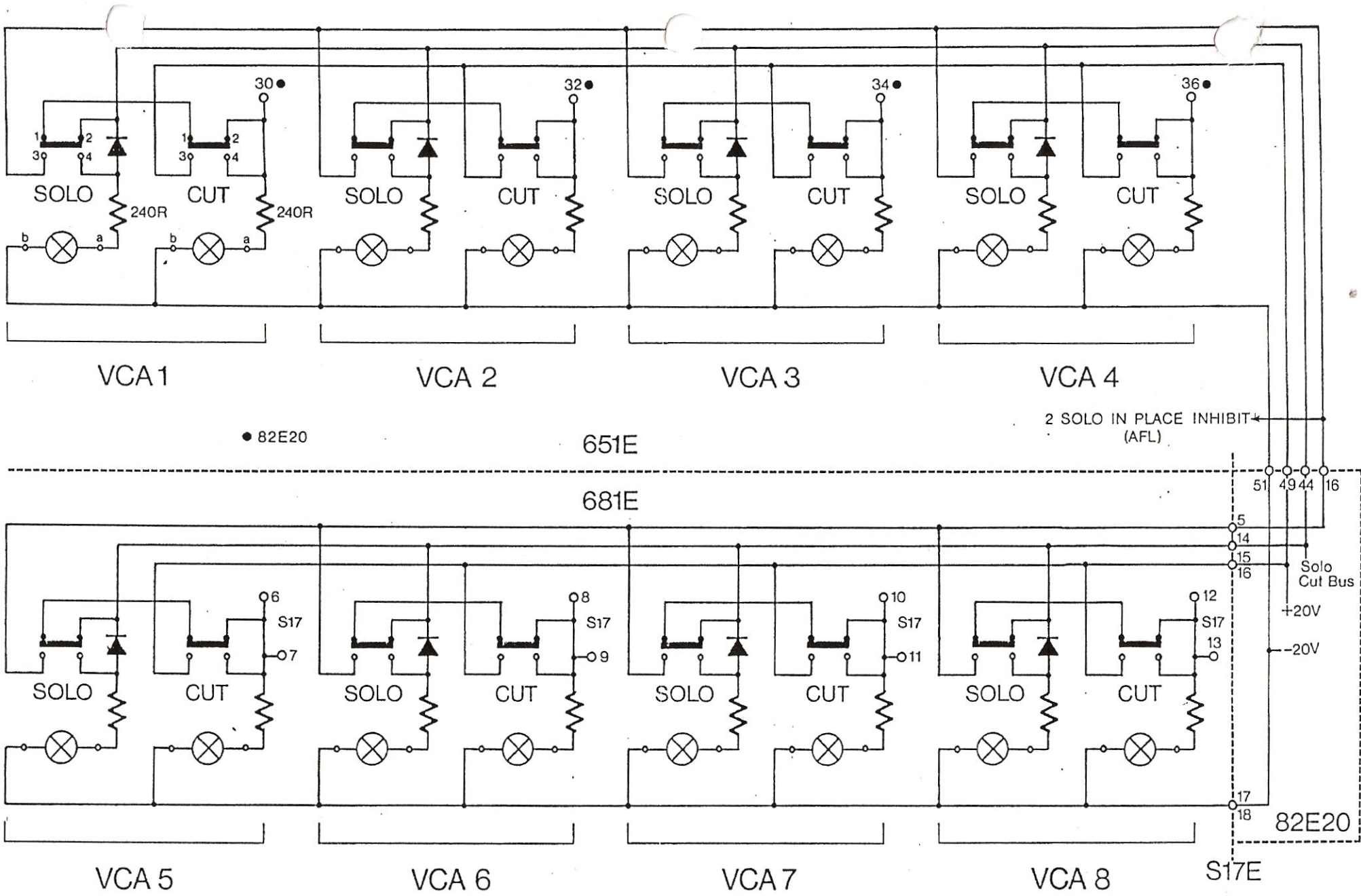


8-5



651E-710-8007-0

DO NOT SCALE DRAWING	M IN DOUBT ASK	MATERIAL:	LIMITS UNLESS STATED	SOLID STATE LOGIC STONESFIELD OXFORD ENGLAND
		FINISH:	ANGLES 1/2"	
THIS DRAWING REMAINS THE PROPERTY OF SOLID STATE LOGIC AND IS NOT TO BE REPRODUCED OR USED IN ANY MANNER WITHOUT THE WRITTEN PERMISSION OF SOLID STATE LOGIC.		GROUP	OS/CUTS	GROUP

DATE	REV	MODIFICATION